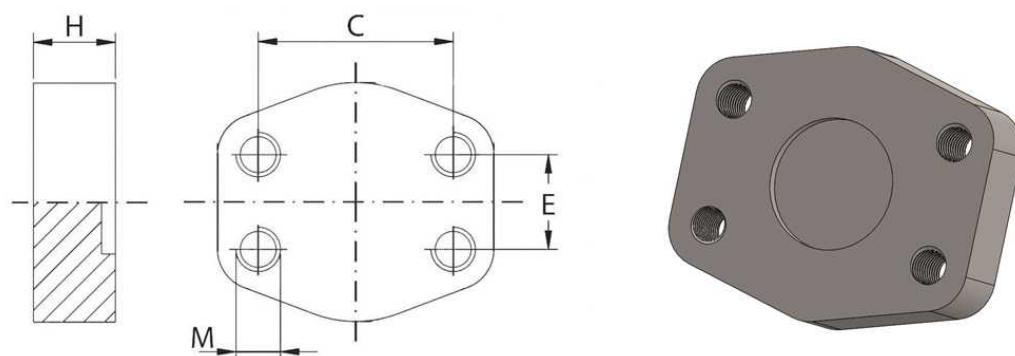


Bridas SAE

Bridas ciegas

Contrabridas ciegas

Acero Inoxidable AISI 316-L



Artículo	Serie	Tamaño	C	E	H	M
ZBCC308	3000 PSI	1/2"	38,1	17,48	16	M8x30
ZBCC312	3000 PSI	3/4"	47,63	22,23	16	M10x35
ZBCC316	3000 PSI	1"	52,37	26,19	19	M10x35
ZBCC320	3000 PSI	1"1/4	58,72	30,18	18	M10x40
ZBCC324	3000 PSI	1"1/2	69,85	35,71	20	M12x45
ZBCC332	3000 PSI	2"	77,77	42,88	20	M12x45
ZBCC348	3000 PSI	3"	106,38	61,93	24	M16x50
ZBCC356	3000 PSI	3"1/2	120,65	69,85	22	M16x50
ZBCC364	3000 PSI	4"	130,18	77,77	25	M16x50
ZBCC608	6000 PSI	1/2"	40,49	18,24	16	M8x30
ZBCC612	6000 PSI	3/4"	50,8	23,8	19	M10x35
ZBCC616	6000 PSI	1"	57,15	27,76	24	M12x45
ZBCC620	6000 PSI	1"1/4	66,68	31,75	27	M14x45
ZBCC624	6000 PSI	1"1/2	79,38	36,5	30	M16x50
ZBCC632	6000 PSI	2"	96,82	44,45	30	M20x60